

Installing the *Cape Cod*[®] Wind Speed Indicator fitted with optional *Peak Gust Register*

PLEASE READ CAREFULLY BEFORE STARTING INSTALLATION. Anyone with a ladder and a few hand tools can easily do the job in an hour or two. If you prefer not to install the instrument yourself, your television serviceman or electrician can do it for you. Regardless of who does the installation, *the owner should become familiar with these instructions.* Incorrect installation or misuse will shorten the life of the product and impair its performance.

The *Cape Cod*[®] Wind Speed Indicator consists of a wind-driven electrical generator outdoors, connected by wire to an indicator dial indoors. The cup-type anemometer generates power varying with the speed of the wind, and the dial electrically measures this power. The Peak Gust Register circuit operates 24 hours/day, powered by a small 3-watt AC/DC adapter plugged into a regular household outlet.

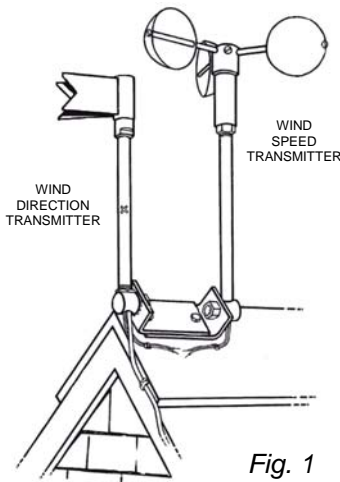


Fig. 1

peak (Fig. 2), where a free flow of wind will be obtained from all directions. The mounting assembly can be adjusted to accommodate any roof pitch. The 1" lag screws provided are for wooden ridge boards; longer 2"x1/4" lag screws should be used for asphalt shingle ridge caps. (The mounting bracket can be super-imposed over that of the wind **direction** indicator, aligning the two lag screw holes, for a simpler and more compact roof installation; Fig. 1.) The transmitter can be mounted on a chimney, if necessary, using lead screw anchors, or it can be elevated further on a TV antenna mast (send \$5 to the address below for a "V"-bolt and bent pipe support for offset mounting on your TV mast).

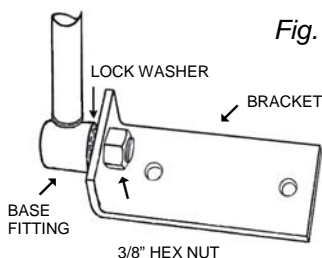


Fig. 3

Install this instrument and the *Cape Cod*[®] Wind Direction Indicator at the same time, if you have both, to take advantage of several simplifications in the combined installation (Fig. 1).

1. Place the cupwheel on the generator shaft with care, and *securely* tighten the set-screw. When tightening the set-screw, turn the unit upside down and *grasp the cupwheel hub, not the generator housing*, to avoid overloading the shaft and the self-aligning bearings. After assembling the cupwheel and generator, thread the mounting pipe into the bottom of the generator. Mount the transmitter with the lag screws provided, a couple of inches in from the end of the ridge on *top* of the highest roof

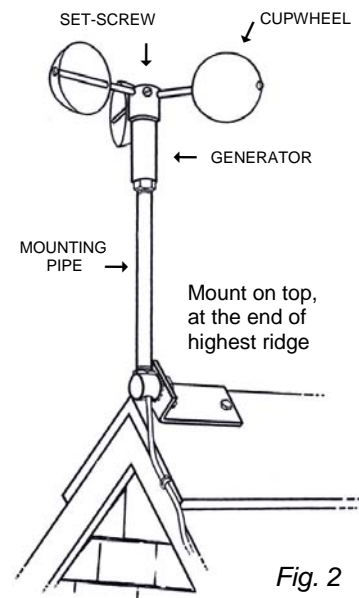


Fig. 2

ridge on *top* of the highest roof

Always keep the transmitter upright, with the cupwheel in place when out in the weather, to prevent water from entering the generator. Be sure the toothed lock washer remains located between the bracket and the mounting fitting (Fig. 3). Note **MAINTENANCE** below.

2. Solder and tape one end of the 50' coil of wire to the wire leads from the generator coming out the bottom of the pipe. (*If installing the wind **direction** indicator at the same time, the spare pair of twisted gray wires in the direction cable can be used instead, thus eliminating the need to run a separate wire.*) **Carefully stapling the wire every foot or so**, run it down the building trim to the point on the outside wall opposite the indoor location chosen for the dial. Where stapling is not feasible, anchor the wire with silicone rubber adhesive. If more wire is needed, use ordinary plastic-insulated lamp cord (#20 gauge copper) available at any local hardware store.

Anchor the cable well! Any continual motion of the wire causes chafing and flexing, which will result in failure of the wire; carefully secured wire will last a lifetime.

3. Drill a small hole in the wall, from indoors out, slanting downward, directly behind the chosen dial location. (Locating the dial near, and preferably directly above, a household outlet will facilitate installation of the power cord.) After running the wire from the roof-unit inside through this hole, strip ¼" of insulation from the end of each conductor.

4. If local codes allow, the power cord can be hidden from view by fishing the 6'-long power cord through two ½" diameter holes, one behind the dial and the other at the base of the wall directly below the dial. If the power cord is not long enough, the adapter can be plugged into any UL-Approved extension cord. *Gently* insert the connector from the power adapter cord into the black connector on the underside of the green circuit board, pushing straight in until a slight click is felt (the pointer may jump up when the power is first connected—this is normal). Connect the 2 wire leads from the roof-unit to the screw terminals on the green circuit board.

5. Attach the dial to the wall with the 3 brass wood screws. In plaster or sheetrock walls, drill three small holes and insert screw anchors (available at your local hardware store) to receive the screws. Staple down the slack in the wire outdoors, making a small drip loop below the hole, and seal the outside opening with a dab of silicone rubber or caulking compound.

Operating the Gust Register: The push button at the top of the dial toggles the pointer between the current wind speed and the highest gust since the memory was last reset. Push the button once briefly and the pointer will display the last peak gust; the pointer will remain in this position until the button is pressed again. Press briefly to return to the current speed. To reset the memory, press and hold the button for 4-5 seconds.

MAINTENANCE: The roof-unit generator bearings should be lubricated after every three or four years of continuous operation. Bring the entire roof-unit indoors and invert it on its cupwheel. Fill the hollow pipe standard and cupwheel hub with #10-weight motor oil and leave the unit inverted overnight at room temperature to reload the felt oil reservoir at each bearing.

If repair or replacement parts are ever needed, mail the part of the instrument requiring attention, accompanied by your correspondence, to the manufactory at the address below (do not return to the dealer). Include your street address for prompt return by U.P.S.

335 Lower County Road
P. O. Box 454
Harwich Port, MA 02646



508-432-0970
<capecodwindandweather.com>

- Keeping an eye on the weather since 1939! -